

## Why choose DSL?

- Over 25 Years Industry Experience
- 5 Years Warranty on all Products
- Evaluation Products Available
- Lifetime Technical Support

## Our Services

- Electronic Design
- Production Management
- Assembly and Test
- Bespoke BIOS Creation
- Industrial Embedded PC Solutions



[www.dsl-ltd.co.uk](http://www.dsl-ltd.co.uk)



### Features

- Intel Celeron N2930(1.83GHz) Processor
- Fanless Design with wide temperature support (-20~60 °C)
- Onboard 2GB DDR III 800 MHz (4GB for option)
- Wide range 9~36V DC Power Input
- Ultra Slim Size, Thickness: 3.39 cm
- 1 x 2.5" SATAII HDD Space, Easy Accessible



### Specifications

| System           |   |
|------------------|---|
| Processor        | Intel Celeron N2930 (1.83GHz) Processor   |
| System Chipset   | SoC   |
| Outside I/O Port | 3 x USB 2.0 type A<br>1 x USB 3.0 type A<br>2 x GbE LAN RJ-45 by Intel 82574L<br>1 x RS-232/422/485 DB-9, COM1 (Default RS-232)<br>1 x RS-232 DB-9, COM2<br>1 x Audio Jack<br>1 x VGA<br>1 x 3-pin DC Power input terminal<br>1 x 2-pin connector for power on/off button |
| System Memory    | Onboard 2GB DDR III 800MHz, (4GB Option)  |
| Storage          | 1 x SD card slot, up to 32GB<br>1 x 2.5" SATAII HDD bay (Easy Accessible)   |
| Expansion Slots  | 1 x mini PCIe slot (full size)  |
| OS Support       | Windows Embedded 8.1 Industry Pro, Windows 7 Pro for Embedded, WES7, WE8S   |

| Power             |            |
|-------------------|------------|
| Power Input       | 9~36V DC   |
| Power Consumption | Max: 11.9W |

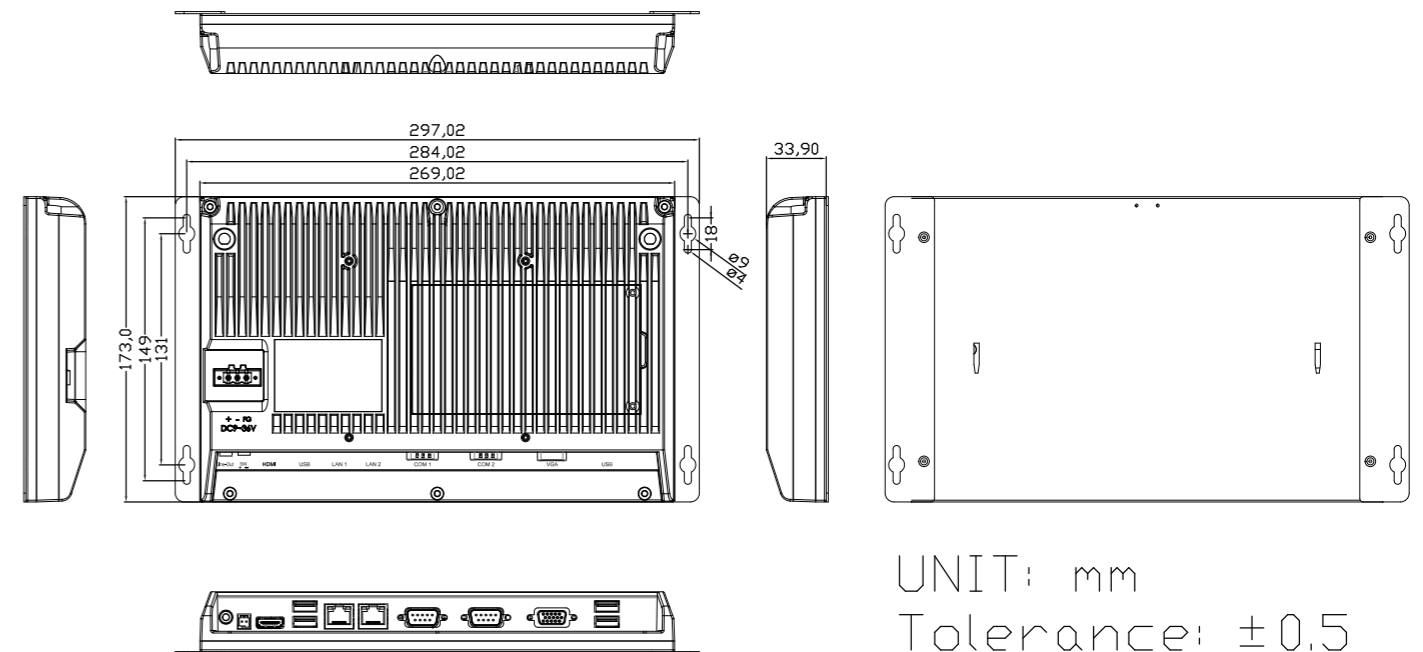
| Mechanical      |                                  |
|-----------------|----------------------------------|
| Construction    | Aluminum chassis                 |
| Color           | RAL 9007                         |
| Mounting        | Wall mount, VESA Mount 100 x 100 |
| Dimension       | 297.02 x 173 x 33.9 mm           |
| Net weight(kgs) | 1.6 Kg                           |

| Environmental         |                              |
|-----------------------|------------------------------|
| Operating Temperature | -20°C to 60°C                |
| Storage Temperature   | -40°C to 85°C                |
| Storage Humidity      | 10~90% @40 °C non-condensing |
| Certificate           | CE / FCC                     |

| Ordering information |  |
|----------------------|--|
| ACS-2170-01          | Fanless Box PC, Intel Celeron N2930 1.8G processor, 2GB DDR3L Memory, 16GB MLC SSD, mini PCIe slot(full size), 9~36V DC input with adaptor |

### Dimensions

#### Standard



#### Din Rail

