



# DATASOUND

## - LABORATORIES -

.....

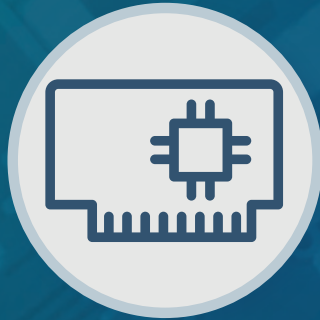
### EMBEDDING THE FUTURE



Electronic  
Design



Panel  
PC / HMI



Single Board  
Computer



Industrial  
PC

## Why choose DSL?

- Over 25 Years Industry Experience
- 5 Years Warranty on all Products
- Evaluation Products Available
- Lifetime Technical Support

## Our Services

- Electronic Design
- Production Management
- Assembly and Test
- Bespoke BIOS Creation
- Industrial Embedded PC Solutions



Call us on +44(0)1462 675330



Email us at [sales@dsl-ltd.co.uk](mailto:sales@dsl-ltd.co.uk)



[www.dsl-ltd.co.uk](http://www.dsl-ltd.co.uk)

### Features

- 12.1" Food Industrial Panel PC
- Flat front panel touch screen
- Fanless design
- Intel Celeron N2930 Processor
- Onboard 4GB DDR 3L 1600 MHz
- Wide range DC 9~36V power input

### Specifications

System	
CPU	Onboard Intel Celeron N2930 Processor (2M Cache, 1.83GHz)
System Chipset	SoC
Memory	Onboard 4GB DDR3L SDRAM

IO Port	
USB	2 x USB 3.0 type A
Serial / Parallel	1 x RS-232/422/485 DB-9, default RS-232(COM1) 1 x RS-232 DB-9(COM2)
LAN	2 x GbE LAN RJ-45
Audio	1 x Line Out
Power	1 x 3-pin DC Power input terminal 1 x 2-pin connector for power on/off button

Storage Space	
HDD/SSD	1 x 2.5" SATA HDD space (Easily Accessible)
Others	1 x internal SD slot onboard

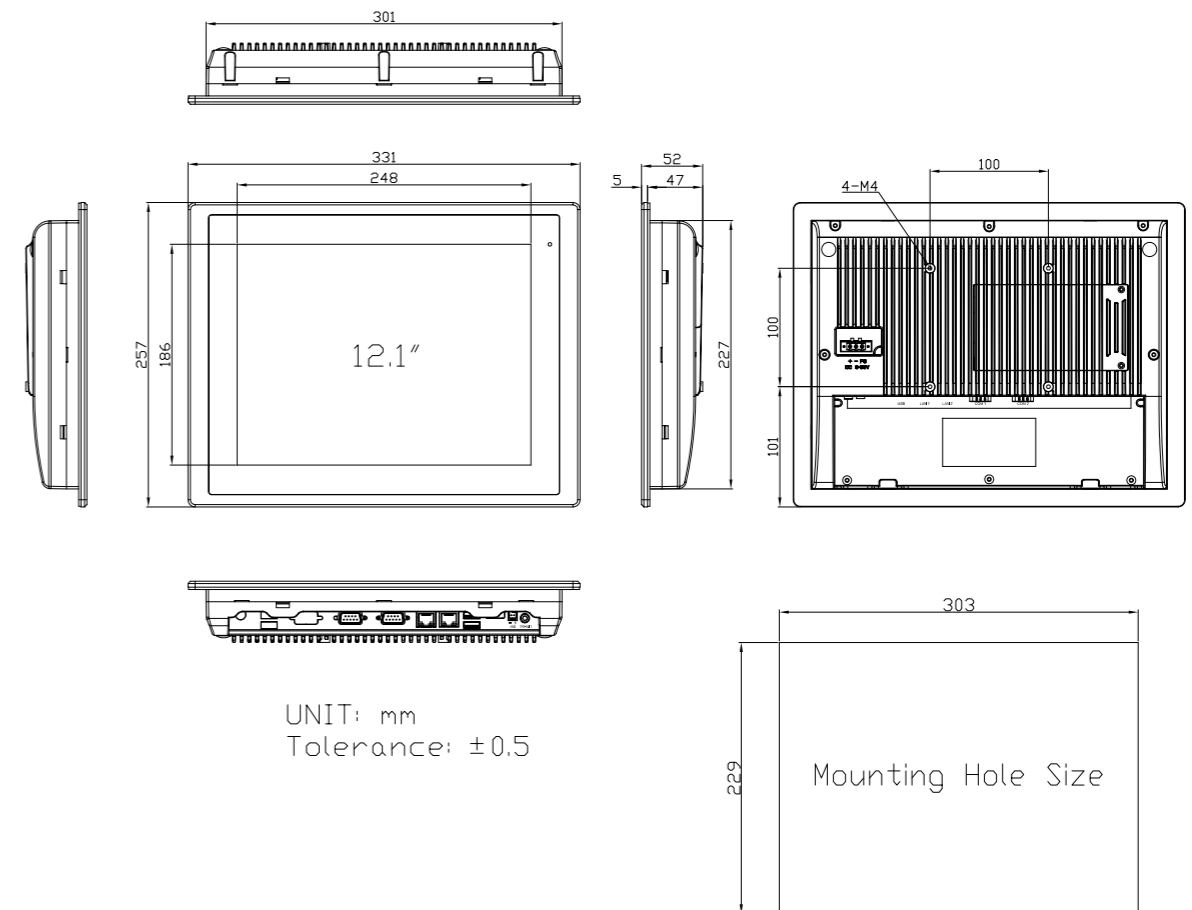
Expansion	
Expansion Slot	1 x Internal Mini-PCIe slot full size on board

Display	Standard	High Brightness Optional
Display Type	12.1" TFT-LCD	12.1" TFT-LCD
Max. Resolution	800 x 600 1024 x 768 (optional)	800 x 600 1024 x 768 (optional)
Max. Color	16.2M	262K / 16.2M (optional)
Luminance (cd/m <sup>2</sup> )	450 / 500 (optional)	1000
View Angle	178(H) / 178(V) 160(H) / 140(V) (optional)	178(H) / 178(V) 160(H) / 140(V) (optional)
Contrast	1500:1 / 700:1 (optional)	700:1
Backlight Lifetime	50,000 hrs 30,000 hrs (optional)	50,000 hrs

Touch Screen	
Type	Projected Capacitive Touch (For P model) Glass (For G model)
Interface	USB
Light Transmission(%)	Over 90%

Power	
Power Input	DC 9~36V
Power Consumption	FABS-812P: 16W

### Dimensions



Mechanical	
Construction	304 Stainless steel front bezel (Default) 316 Stainless steel front bezel (Optional) Aluminum back cover
Mounting	Panel mount, VESA mount 100 x 100
IP Rating	Front Panel IP66/IP69K
Dimensions	331 x 257 x 52 mm
Net Weight	2.5 kg

Environmental	
Operating Temperature	0~50°C, -20~60°C (option)
Storage Temperature	-20~60°C
Storage Humidity	10 to 90% @ 40°C, non- condensing
Certificate	CE / FCC Class A/EN 1672-2

Operating System Support	
WEC 7, Windows Embedded 7, Windows Embedded 8.1, Windows 10 IoT ENT LTSB	

Ordering Information	
FABS-812P (Barebone)	12.1" SVGA fanless HMI barebone with Celeron N2930(1.83.GHz ) CPU, 4GB DDR3L RAM, Projected Capacitive touch,, 9~36VDC input with adapter, Stainless front bezel and Aluminum chassis.
FABS-812G (Barebone)	12" SVGA/ XGA fanless HMI barebone with Celeron N2930 (1.83.GHz ) CPU, 4GB DDR3L RAM, Protection Glass, 9~36V DC input with adapter, Stainless front bezel and Aluminum chassis.