



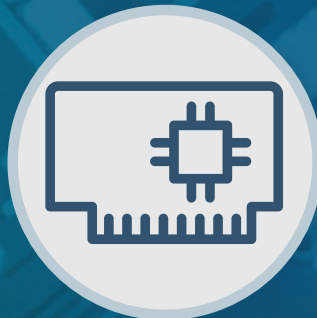
D A T A S O U N D
- L A B O R A T O R I E S -
.....
E M B E D D I N G T H E F U T U R E



**Electronic
Design**



**Panel
PC / HMI**



**Single Board
Computer**



**Industrial
PC**

Why choose DSL?

- Over 25 Years Industry Experience
- 5 Years Warranty on all Products
- Evaluation Products Available
- Lifetime Technical Support

Our Services

- Electronic Design
- Production Management
- Assembly and Test
- Bespoke BIOS Creation
- Industrial Embedded PC Solutions



Call us on +44(0)1462 675330



Email us at sales@dsl-ltd.co.uk



www.dsl-ltd.co.uk

Features

- 7" Food Industrial Panel PC
- Flat front panel touch screen
- Fanless design
- Intel Celeron N2930 Processor
- Onboard 4GB DDR 3L 1600 MHz
- Wide range DC 9~36V power input

Specifications

| System | |
|----------------|---|
| CPU | Onboard Intel Celeron N2930 Processor (2M Cache, 1.83GHz) |
| System Chipset | SoC |
| Memory | Onboard 4GB DDR3L SDRAM |

| IO Port | |
|-------------------|--|
| USB | 2 x USB 3.0 type A |
| Serial / Parallel | 1 x RS-232/422/485 DB-9, default RS-232(COM1) 1 x RS-232 DB-9(COM2) |
| LAN | 2 x GbE LAN RJ-45 |
| Audio | 1 x Line Out |
| Power | 1 x 3-pin DC Power input terminal 1 x 2-pin connector for power on/off button |

| Storage Space | |
|---------------|------------------------------|
| HDD/SSD | 1 x MO-297 SSD space |
| Others | 1 x internal SD slot onboard |

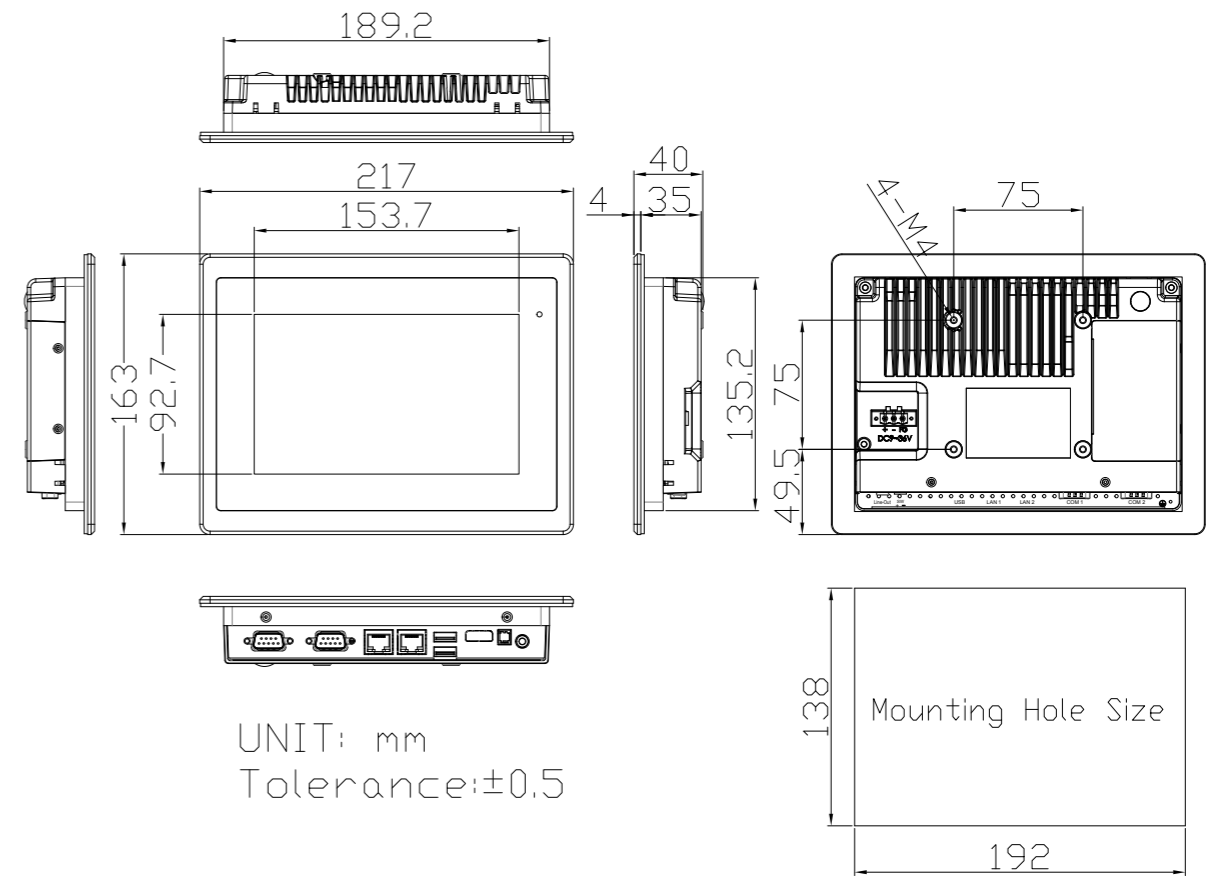
| Expansion | |
|----------------|--|
| Expansion Slot | 1 x Internal Mini-PCIe slot full size on board |

| Display | Standard | High Brightness Optional |
|--------------------------------|----------------|--------------------------|
| Display Type | 7" TFT-LCD | 7" TFT-LCD |
| Max. Resolution | 800 x 480 | 800 x 480 |
| Max. Color | 262K | 262K |
| Luminance (cd/m ²) | 420 | 1000 |
| View Angle | 110(H) /140(V) | 130(H) /140(V) |
| Contrast | 400:1 | 400:1 |
| Backlight Lifetime | 40,000 hrs | 50,000 hrs |

| Touch Screen | |
|-----------------------|---|
| Type | Projected Capacitive Touch (For P model) Glass (For G model) |
| Interface | USB |
| Light Transmission(%) | Over 90% |

| Power | |
|-------------------|----------------|
| Power Input | DC 9~36V |
| Power Consumption | FABS-807P: 12W |

Dimensions



| Mechanical | |
|--------------|--|
| Construction | 304 Stainless steel front bezel (Default) 316 Stainless steel front bezel (Optional) Aluminum back cover |
| Mounting | Panel mount, VESA mount 75 x 75 |
| IP Rating | Front Panel IP66/IP69K |
| Dimensions | 217 x 163 x 40 mm |
| Net Weight | 1.2 kg |

| Environmental | |
|-----------------------|-----------------------------------|
| Operating Temperature | 0~50°C, -20~60°C (option) |
| Storage Temperature | -20~60°C |
| Storage Humidity | 10 to 90% @ 40°C, non- condensing |
| Certificate | CE / FCC Class A/EN 1672-2 |

| Operating System Support | |
|--|--|
| WEC 7, Windows Embedded 7, Windows Embedded 8.1, Windows 10 IoT ENT LTSB | |

| Ordering Information | |
|----------------------|--|
| FABS-807P (Barebone) | 7" WVGA fanless HMI barebone with Celeron N2930(1.83.GHz) CPU, 4GB DDR3L RAM, Projected Capacitive touch, 9~36VDC input with adapter, Stainless front bezel and Aluminum chassis. |
| FABS-807G (Barebone) | 7" WVGA fanless HMI barebone with Celeron N2930 (1.83.GHz) CPU, 4GB DDR3L RAM, Protection Glass, 9~36V DC input with adapter, Stainless front bezel and Aluminum chassis. |