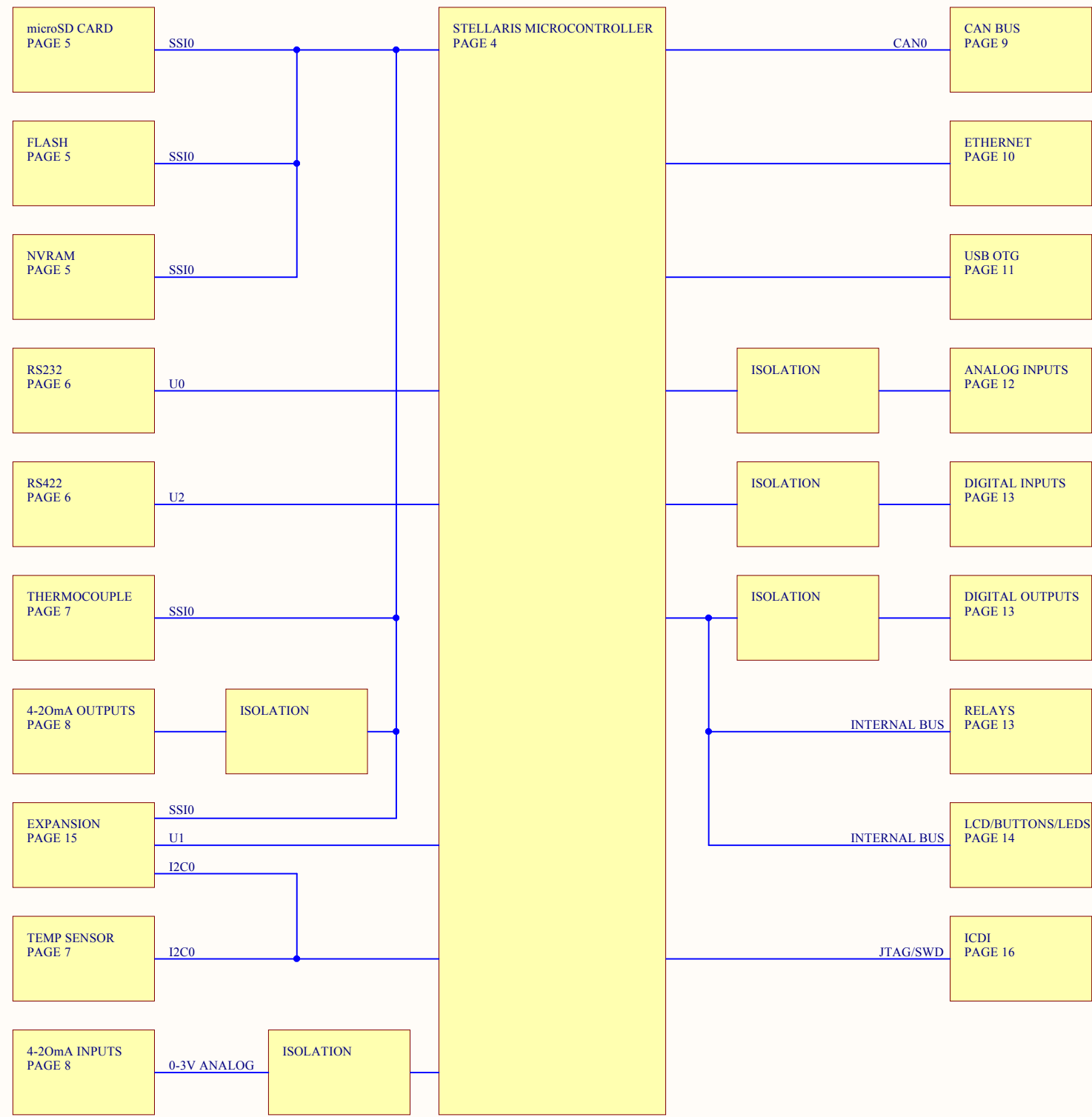


PAGE INDEX.
 1: Revision history, Notes etc. (THIS PAGE)
 2: Sheet connections
 3: Power supplies
 4: Microcontroller
 5: SD Card, NVRAM and Flash
 6: Serial Ports
 7: Temperature sensors
 8: 4-20mA
 9: CAN
 10: Ethernet
 11: USB OTG
 12: Analog inputs
 13: GPIO
 14: Keypad
 15: Expansion port
 16: ICDI

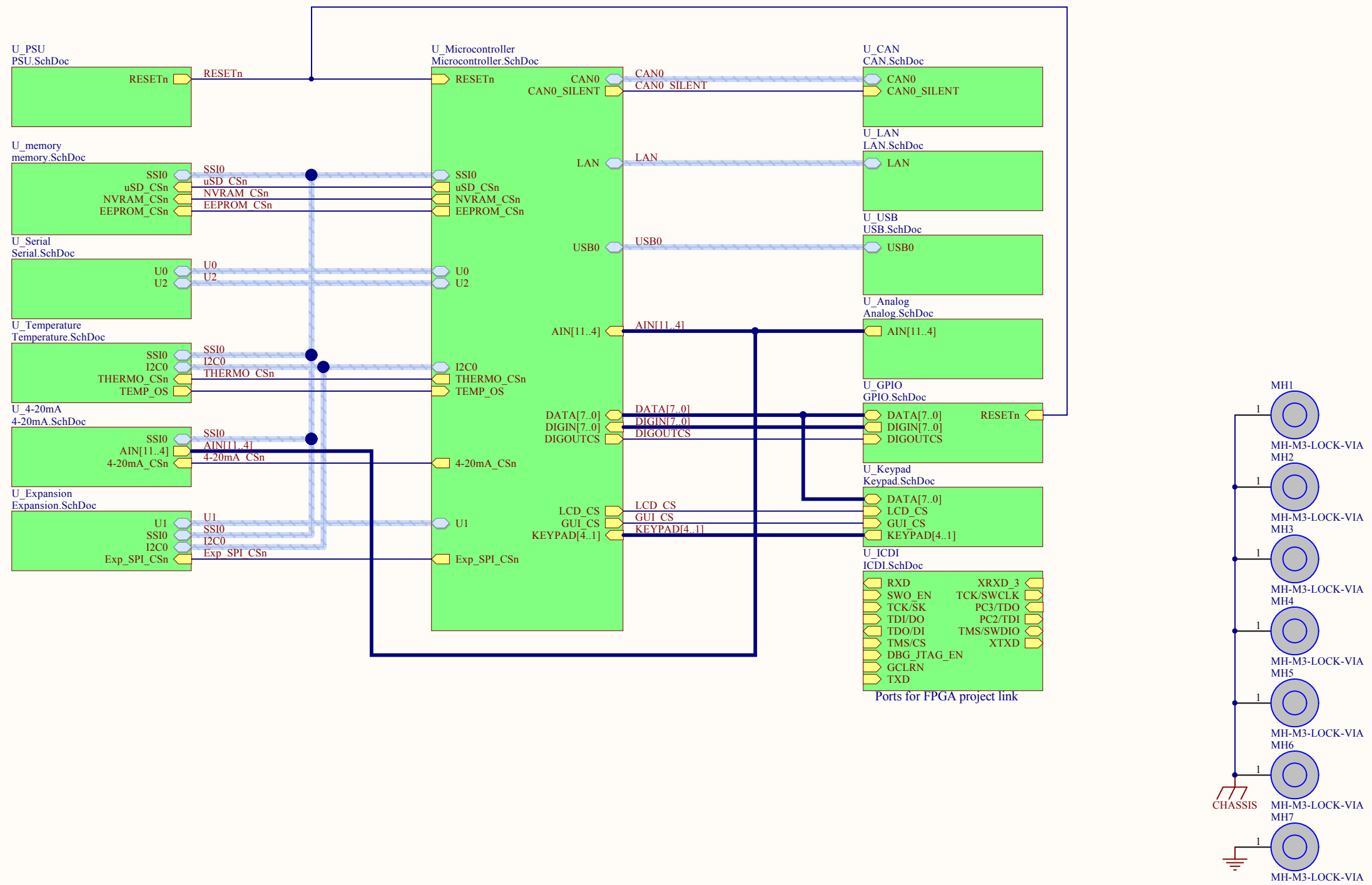
ECR INDEX.

NOTES:
 1.

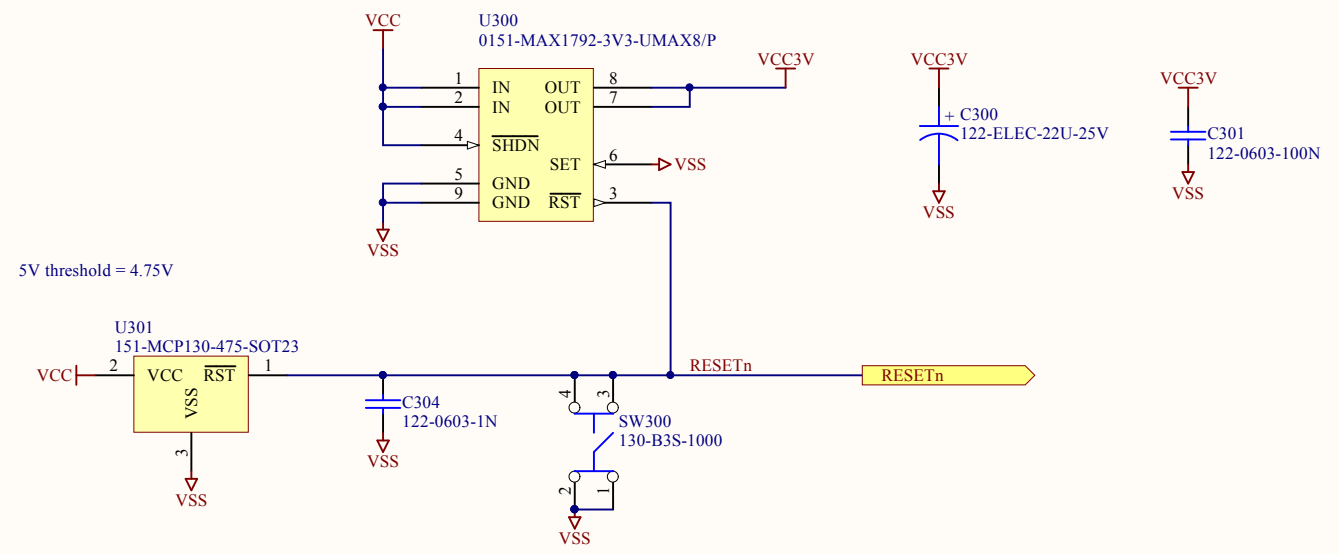
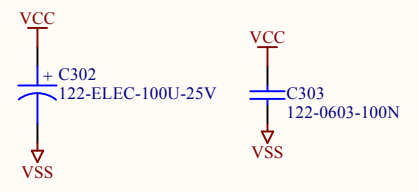
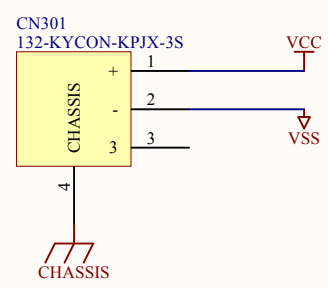
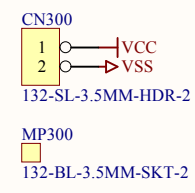


Revision History:
 1.0 XX-DEC-2012 Initial Release. KJK.

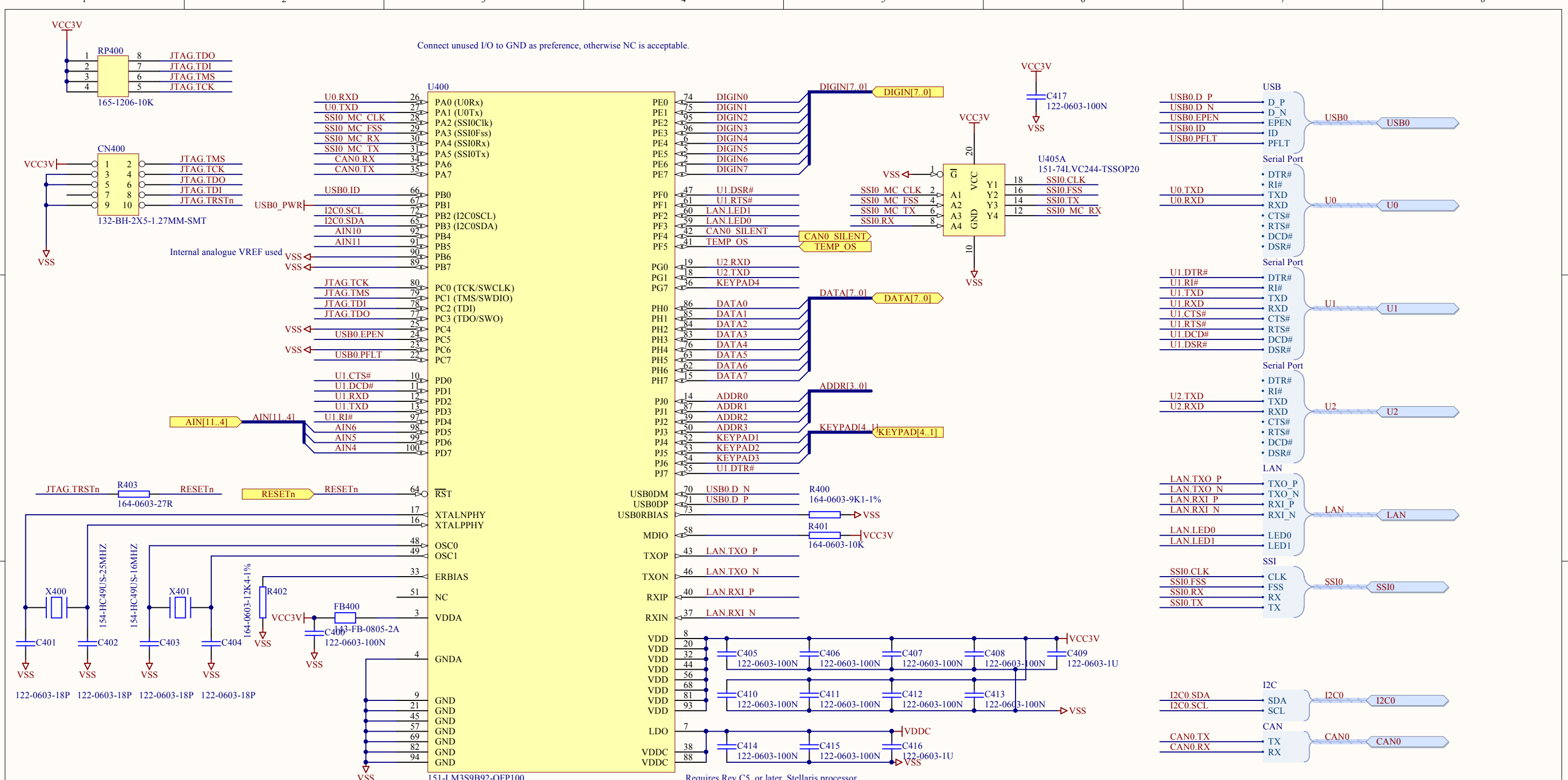
File format (.tif) not supported 4 Aylesford Court Works Road Letchworth Garden City Herts, SG6 1LP 01462 675530 www.dsl-ltd.co.uk	TITLE Sensor Development Kit	
	PRODUCT NUMBER 1253-000	
	REVIEWED BY	
	COMPANY 01462 675530 www.dsl-ltd.co.uk	DATE 25/11/2014
SHEET 1	REV 1.0	DATE 25/11/2014



File format (.tif) not supported		TITLE Sensor Development Kit	
4 Aylesford Court Works Road Letchworth Garden City Herts, SG6 1LP		PRODUCT NUMBER 1253-000	
01462 675530		REVIEWED BY	
www.dsl-ltd.co.uk		COMPANY	DATE
SHEET 2	REV 1.0	DATE 25/11/2014	



File format (.tif) not supported 4 Aylesford Court Works Road Letchworth Garden City Herts, SG6 1LP 01462 675530 www.dsl-ltd.co.uk	TITLE	
	SDK - PSU	
	PRODUCT NUMBER	
	1253-000	
REVIEWED BY		
COMPANY		DATE
SHEET	REV	DATE
3	1.0	25/11/2014

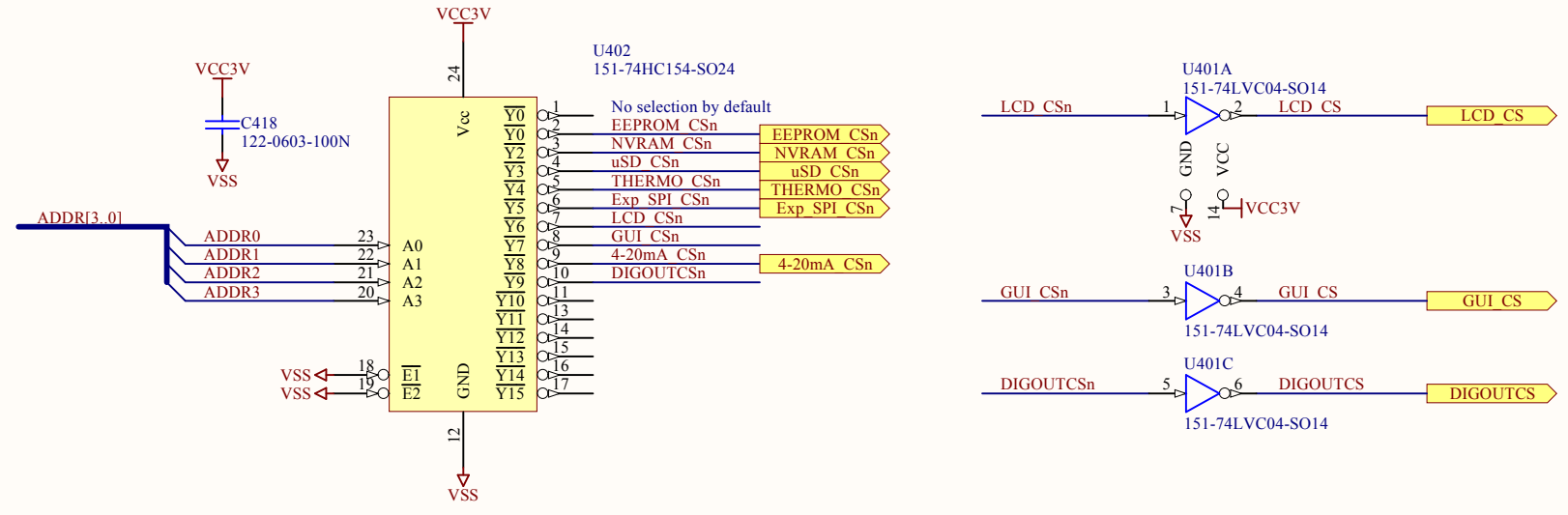


Connect unused I/O to GND as preference, otherwise NC is acceptable.

Requires Rev C5, or later, Stellaris processor

Battery backed RTC requires different micro with hibernation module, such as LM3S9C97

ADDRESS	FUNCTION
0000	NONE
0001	EEPROM
0010	NVRAM
0011	microSD Card
0100	Thermocouple
0101	Expansion SPI
0110	LCD
0111	LCD/LED control
1000	4-20mA Transmitter
1001	Digital outputs/relays
1010	NONE
1011	NONE
1100	NONE
1101	NONE
1110	NONE
1111	NONE



File format (.tif) not supported		
TITLE SDK - Microcontroller		
PRODUCT NUMBER 1253-000		
REVIEWED BY		
COMPANY		DATE
01462 675530		
SHEET 4	REV 1.0	DATE 25/11/2014
www.dsl-ltd.co.uk		



To view the full schematics of the DSL AMPIC,
please contact your DSL Sales representative.

www.dsl-ltd.co.uk

01462 675530