

NEW

APC-3X82/APC-3X83 Series

Performance IP 42/Intel Atom D525



APC-3X82/APC-3X83 Series

APC-3582/APC-3782/APC-3982
APC-3283/APC-3583/APC-3783/APC-3983

Panel PC



APC-3X82



APC-3X82
Reliable Cable Bracket Design



APC-3X83 Series
Steel Enclosure, Black Color

Features



Slim, Fanless Design



All Solid Capacitor
Motherboard



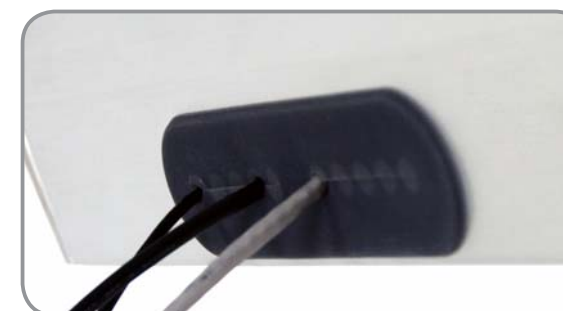
IP 65 Except I/O Side



Wide Range DC 11~32V
Power Input



Low Power
Consumption



APC-3X82
IP 42 Rubber Cover

NEW

APC-3X82/APC-3X83 Series

Performance IP42/Intel Atom D525

Specifications

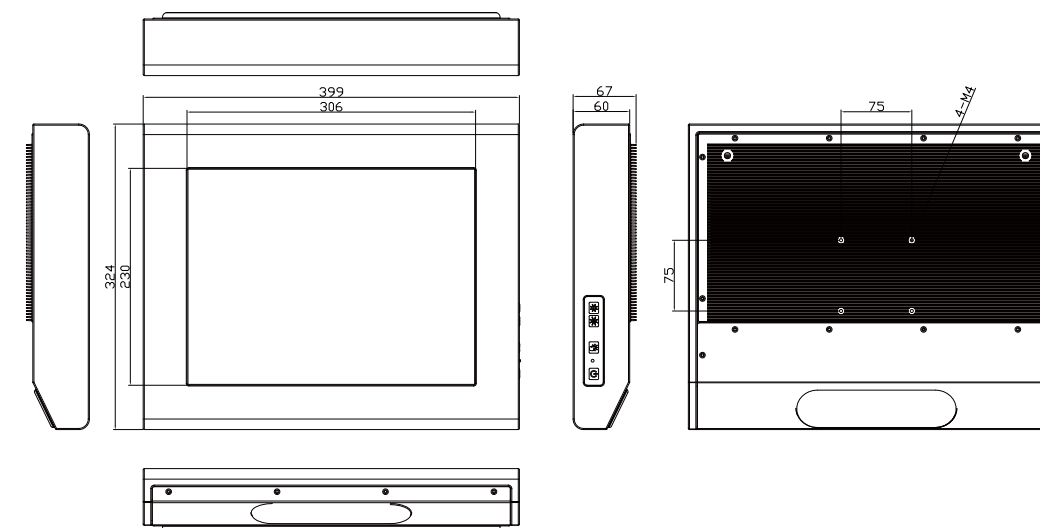
| Model No. | APC-3282/3283 Q1/2012 | APC-3582/3583 | APC-3782/3783 Q1/2012 | APC-3982/3983 |
|--------------------------------|--|--|--|--|
| System | | | | |
| Processor | Intel Atom D525 | | | |
| System Memory | 1 x 204 Pin DDR3 800 MHz SO-DIMM slot, default 2GB, max. 4GB | | | |
| System Chipset | Intel ICH8M | | | |
| External I/O Port | <ul style="list-style-type: none"> 4 x USB 2.0 2 x RJ-45 LAN 1 x DB-15 for RS-232 and RS-422/485 (1 to 2 Ycable) 1 x DB-9 RS-232 1 x DC Power input terminal block connector 1 x 7 Pin terminal block for 2n/2out/1Ground/Switch | <ul style="list-style-type: none"> 4 x USB 2.0 2 x RJ-45 LAN 1 x DB-15 for RS-232 and RS-422/485 (1 to 2 Ycable) 1 x DB-9 RS-232 1 x DC Power input terminal block connector 1 x 7 Pin terminal block for 2n/2out/1Ground/Switch | <ul style="list-style-type: none"> 4 x USB 2.0 2 x RJ-45 LAN 1 x DB-15 for RS-232 and RS-422/485 (1 to 2 Ycable) 1 x DB-9 RS-232 1 x DC Power input terminal block connector 1 x 7 Pin terminal block for 2n/2out/1Ground/Switch | <ul style="list-style-type: none"> 4 x USB 2.0 2 x RJ-45 LAN 1 x DB-15 for RS-232 and RS-422/485 (1 to 2 Ycable) 1 x DB-9 RS-232 1 x DC Power input terminal block connector 1 x 7 Pin terminal block for 2n/2out/1Ground/Switch |
| Storage | <ul style="list-style-type: none"> 1 x 2.5" SATA HDD 1 x CF Slot (internal) | <ul style="list-style-type: none"> 1 x 2.5" SATA HDD 1 x CF Slot (Internal), 1 x CF Slot external (option) | | |
| Expansion Slots | None | | | |
| OS Support | Windows XP Embedded, Windows Embedded Standard 7 | | | |
| LCD | | | | |
| Display Type | 12" TFT-LCD | 15" TFT-LCD | 17" TFT-LCD | 19" TFT-LCD |
| Max. Resolution | 800x600 | 1024x768 | 1280x1024 | 1280x1024 |
| Max. Color | 262K | | 16.7M | |
| Luminance (cd/m ²) | 350 | 400 (APC-3582) 350 (APC-3583) | 450 (APC-3982) 300 (APC-3983) | 300 |
| View Angle | H:140° / V:110° | H:160° / V:140° (APC-3582) H:125° / V:140° (APC-3583) | H:170° / V:160° | H:160° / V:160° |
| Backlight Lifetime | 50,000 hrs | | | |
| Touch Screen | | | | |
| Type | Resistive (optional) USB Interface | | | |
| Light Transmission | 80% | | | |
| Power Supply | | | | |
| Power Input | DC 11~32V | | | |
| Mechanical | | | | |
| Construction | Stainless Steel Housing (APC-3X82) / Steel Housing (APC-3X83) | | | |
| IP Rating | Front panel IP65/ 6 sides IP42 with waterproof kit | | | |
| Mounting | VESA 75 x 75 Mount | VESA 75 x 75 Mount | VESA 75 x 75 Mount | VESA 100 x 100 Mount |
| Dimension | TBD | 398(W)x316(H)x56(D) mm | TBD | 470(W)x388.6(H)x71.8(D) |
| Environmental | | | | |
| Operating Temperature | 0~50 °C | | | |
| Storage Temperature | -20~60°C | | | |
| Storage Humidity | 10~90% @40 °C non-condensing | | | |
| Certificate | CE/FCC Class A | | | |

APC-3X82/APC-3X83 Series

APC-3582/APC-3782/APC-3982
APC-3283/APC-3583/APC-3783/APC-3983
unit:mm

Dimensions

APC-3582/APC-3583



APC-3982/APC-3983

