

APW-4206

IP 67 Waterproof 60W Power Adapter



APW-4206

APW-4206

External I/O Port



Features



Waterproof IP 67



High Power Efficiency



Aluminum Housing



Wall Mounting



Wide Working Temperature



APW-4206

- AC input: 90~264V
- DC output: 12V

APW-4206

IP 67 Waterproof 60W Power Adapter

Specifications

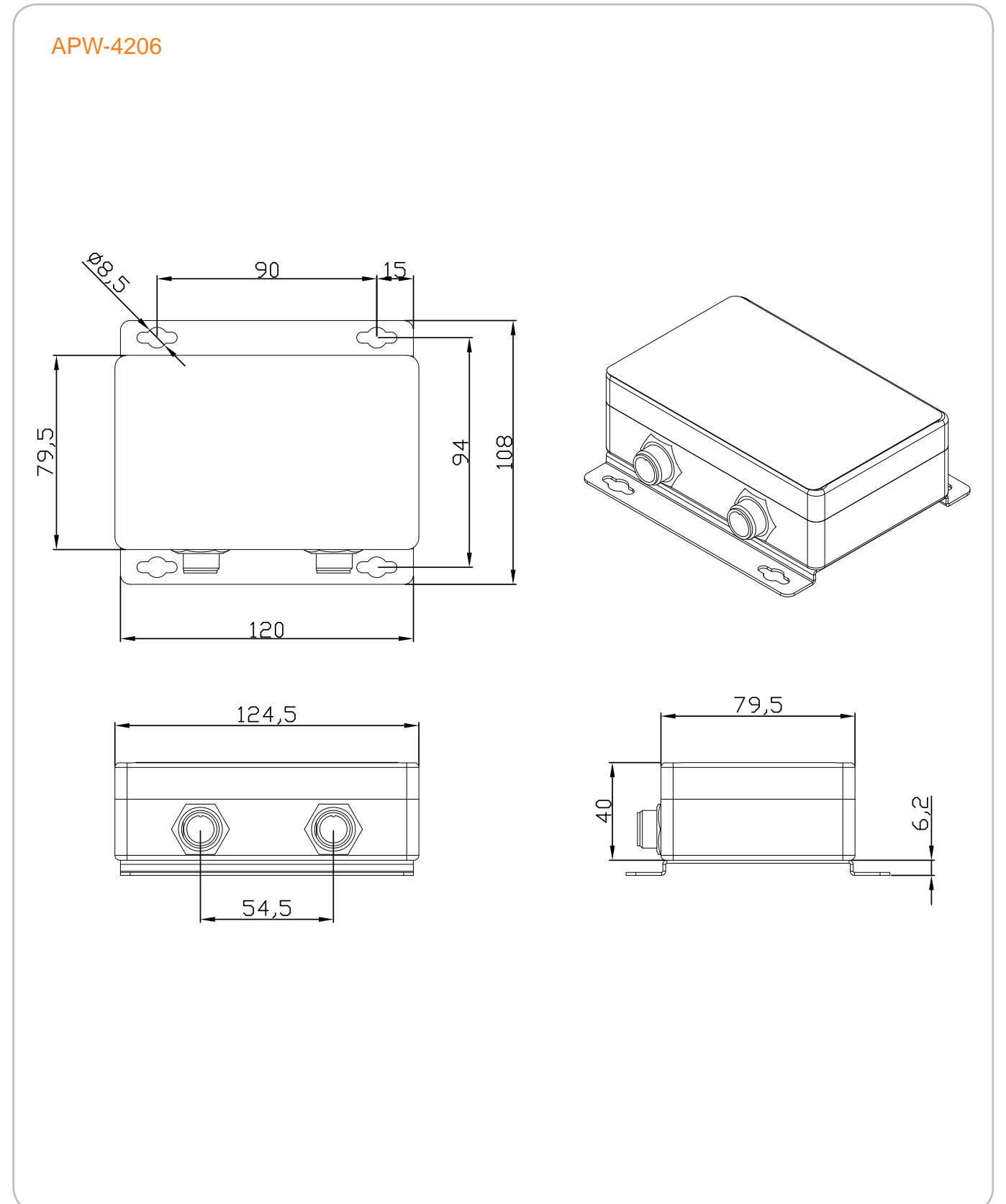
Model No.	APW-4206
Mechanical	
AC input voltage range	90~264V
Input frequency	47~63Hz
Efficiency	88%
Output Current	5A
Max. output power	60 watts
Output voltage adjust range	12V±5%
Cover material	Aluminum
Output overload protection	112~132%
Output over voltage protection	110~150%
Hold up time	20ms@full load (typical)
Weight (net)	1.1kgs
Environmental	
Operating Temperature	-20~70 °C
Storage Temperature	-45~85 °C
Storage Humidity	5~95% @40 °C non-condensing
Safety Standards	EN60950
EMC Standards	EN55022 class A, EN55024, EN61000-3-2,3, EN61000-4-2,3,4,5,6,8,11
Cooling	Fan-less
Dimension	120(W)x80(H)x40(D) mm

APW-4206

APW-4206

Dimensions

unit:mm



Ordering Information

Model	Description
APW-4206-01	IP 67 waterproof 60W power adaptor, 90~264 V AC input, 12V DC output